

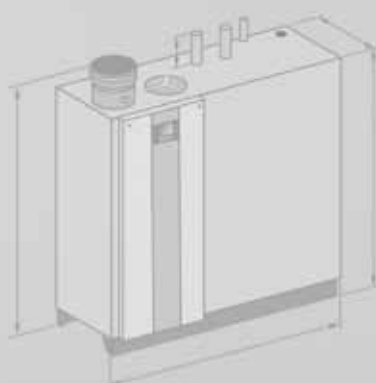
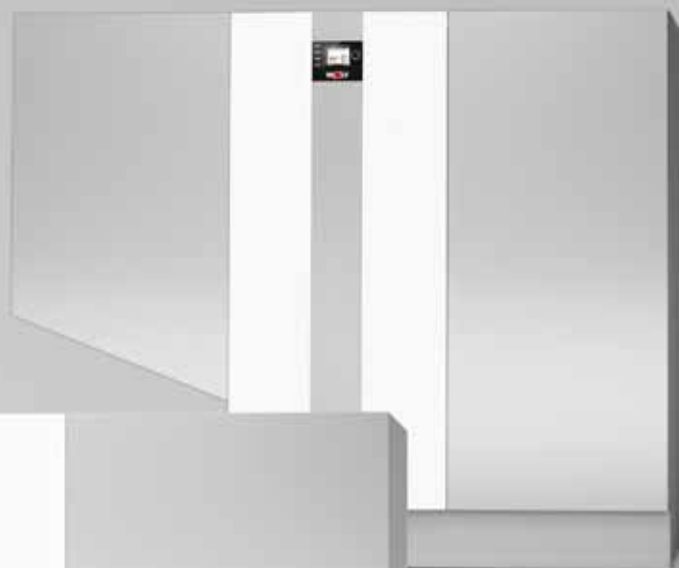


Technical documentation

# MGK-2 gas condensing boiler

MGK-2 - 130, 170, 210, 250, 300

MGK-2 - 390, 470, 550, 630

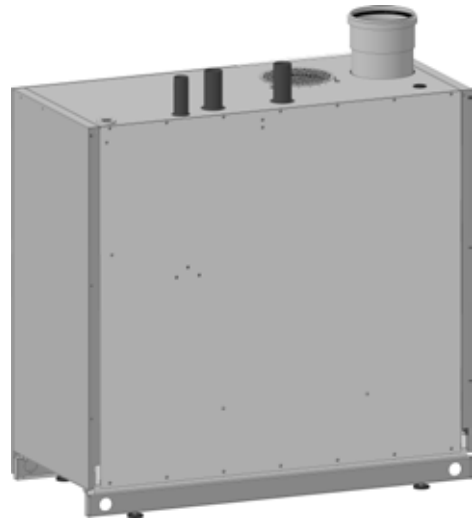
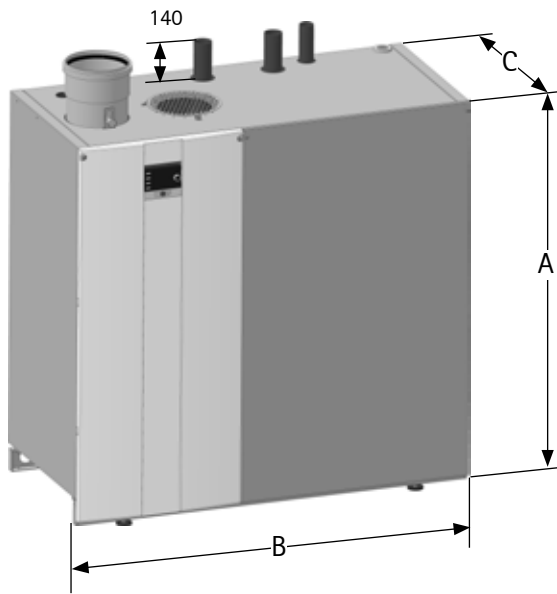






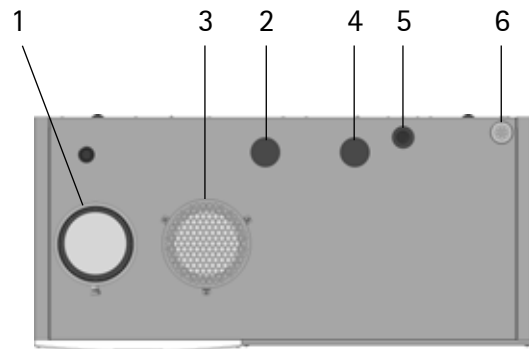
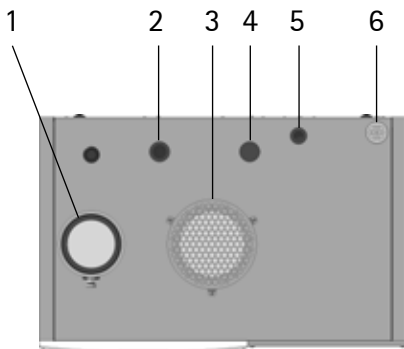
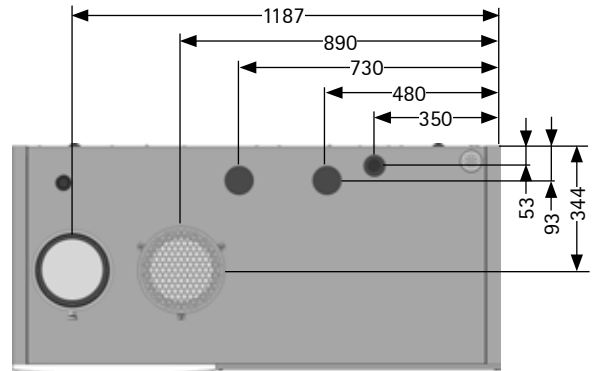
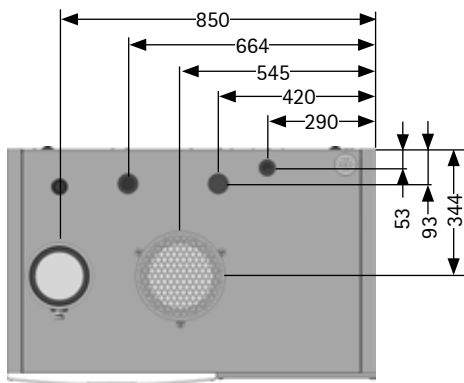


# Specification MGK-2-130-300



Connections: MGK-2-130

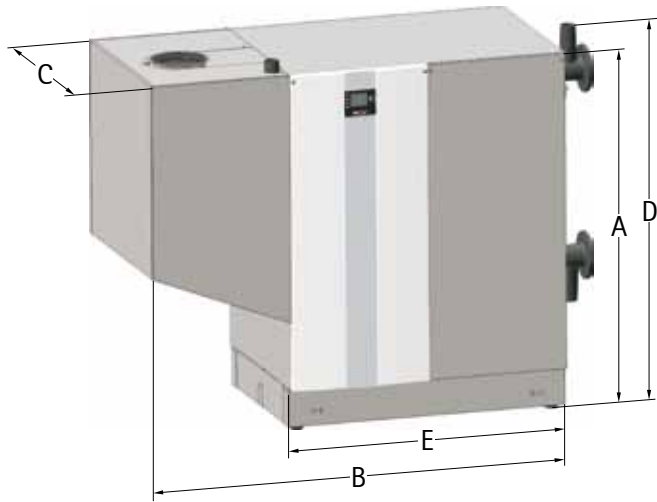
MGK-2-170/210/250/300



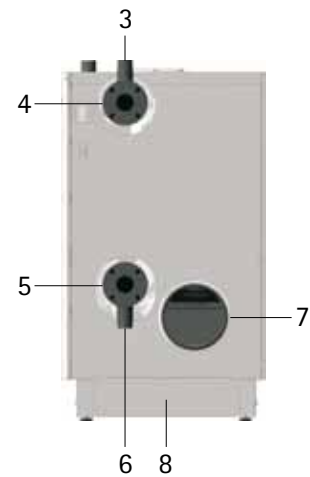
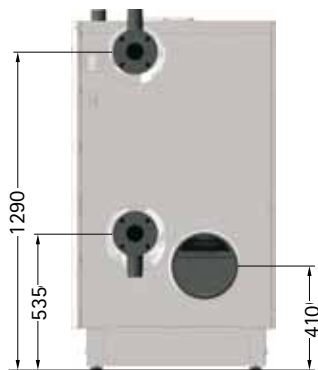
- 1 Flue gas connection
- 2 Heating flow
- 3 Combustion air supply
- 4 Heating return
- 5 Gas connection
- 6 Cable passage



# Specification MGK-2-390-630



## Connections:



- 1 Combustion air supply
- 2 Gas connection
- 3 Safety assembly connection
- 4 Heating flow
- 5 Heating return
- 6 BDF valve connection
- 7 Flue gas connection
- 8 Condensate drain













The comprehensive equipment range from system supplier Wolf offers the ideal solution for commercial and industrial buildings, for new build and for modernisation projects alike. The range of Wolf control units fulfils every need where heating convenience is concerned. The products are easy to operate, energy-efficient and reliable. Photovoltaic and solar heating systems can be quickly integrated into existing systems. All Wolf products can be easily and rapidly commissioned and maintained.

Wolf GmbH, PO Box 1380, D-84048 Mainburg, Tel.: +49 87 51 / 74-0, Fax: +49 87 51 / 74-1600, Internet: [www.wolf-heiztechnik.de](http://www.wolf-heiztechnik.de)

H  
MM  
MB  
N  
NMMN

B



The competence brand for energy saving systems

Art.Nr. 4800745



2015/02 GB

Subject to technical modifications